

Pressure measurement

Model **7381****Electronic pressure gauge**
Digital display - Data logging function
316L stainless steel male BSPP vertical connections

Specifications

Connection: complies with EN 837-1
male G 1/2" according to ISO 228-1

Ambient temperature: -10°C à +50°C

Pressure range: -1/0 to 1000 bar

Accuracy: class 0.10

Material: 316L stainless steel connection
Housing in nickel plated die-cast aluminium

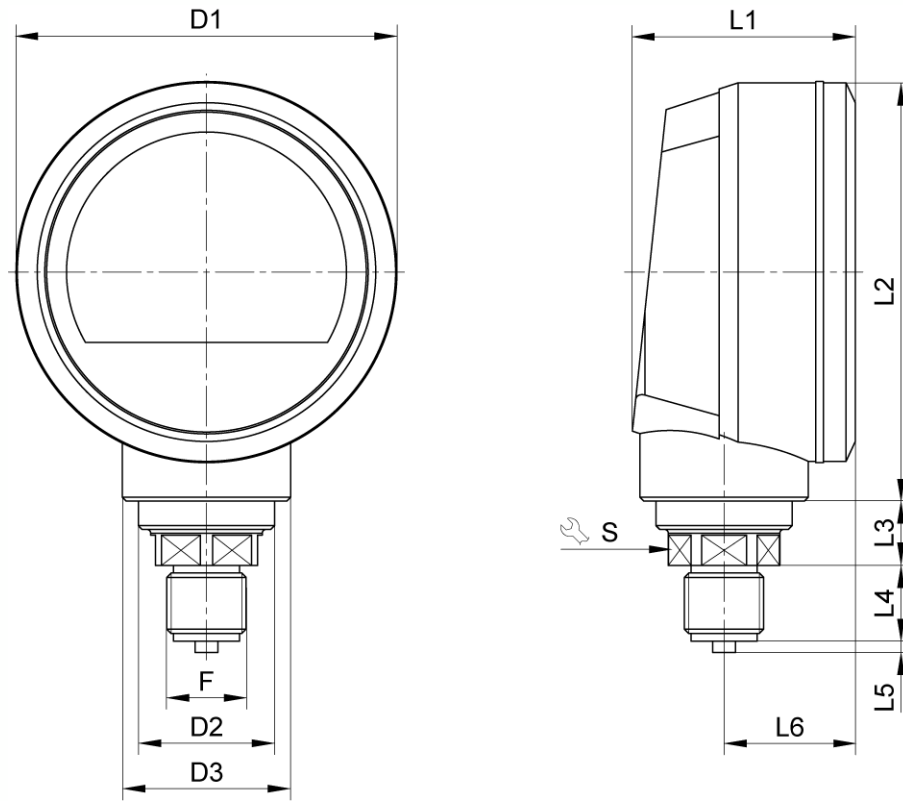
Protection rating: IP65



Béné Inox – 11 chemin de la Pierre Blanche – 69800 SAINT-PRIEST – S.A.S with 240 000 € share capital – SIREN N° 311 810 287
Tel. N°: +33 (0)4 78 90 48 22 – Fax N°: +33 (0)4 78 90 69 59 – www.bene-inox.com – bene@bene-inox.com

Technical information, illustrations and photographs are provided for information only, they are not contractual. Some may vary according to the tolerances accepted in the profession and the applicable standards. All instructions for use, disassembly and maintenance are recommendations only. These could also vary depending on product usage conditions, its installation environment and purchaser requirements – of which the purchaser alone is responsible for their definition.

7381-A V0621



Dial Ø (mm)	D1 (mm)	D2 (mm)	D3 (mm)	F (mm)	L1 (mm)	L2 (mm)	L3 (mm)	L4 (mm)	L5 (mm)	L6 (mm)	S (mm)
100	100.7	36	44.4	G 1/2"	58.9	110.1	17.3	20	3	34.7	27

Pressure (bar)	Max. operating pressure (bar)	Part number Ø100
-1 / 2.5	7.5	673811-2
-1 / 24	72	673811-24
0 / 40	80	673811-40
0 / 100	200	673811-100
0 / 250	500	673811-250
0 / 600	1200	673811-600
0 / 1000	1500	673811-1000

Use

Description

Electronic pressure gauges work in the same way as mechanical pressure gauges with a needle: they measure pressure through the deformation of a measuring element.

This deformation is then transformed into an electronic signal using strain gauges; a voltage value corresponds to a pressure value.

Precision pressure gauges can be calibrated digitally. This gives them a high performance level and better characteristics than mechanical pressure gauges.

This electronic pressure gauge's functions include:

- a visual alarm for its limit values (min. and max.)
- data logging with cycle time and sampling rate configuration (this pressure gauge can measure up to 50 values per second)
- a housing that can be oriented around 330°
- wireless communication via wifi

Fluids

Electronic pressure gauges can be used with gaseous fluids and aggressive, non-viscous and non-crystallising liquids.

However, the fluids must be compatible with 316L stainless steel.

Accessories

Here is a list of all of our pressure gauge accessories:

- The pressure gauge can be isolated if you install it on a cock to facilitate maintenance and so that you do not need to purge the piping if you need to carry out maintenance on the measuring instrument.
 - Model **7388**: Pressure gauge cock - with 316 Ti stainless steel valve body and needle (including bleed screw)
 - Model **7389**: Pressure gauge valve - Brass
 - Model **7377**: Pressure gauge valve - 316 Ti stainless steel
- If you need to cool the fluid, when the fluid temperature is higher than the pressure gauge's temperature range:
 - Model **7346**: Trumpet form siphon - 316 stainless steel
 - Model **7347**: U-form siphon - 316 Ti stainless steel
 - Model **7348**: High pressure straight siphon - 316 Ti stainless steel
 - Model **7304**: Cooling fin - 316 stainless steel
- If you need to protect the pressure gauge from excess pressure:
 - Model **7349**: Pressure limiter - 316 stainless steel
 - Model **7350**: Pressure damper - 316 stainless steel
- Model **7312**: Pressure gauge options:
 - COFRAC calibration certificate

- Model **7305**: Pressure gauge gasket

Béné Inox – 11 chemin de la Pierre Blanche – 69800 SAINT-PRIEST – S.A.S with 240 000 € share capital – SIREN N° 311 810 287
Tel. N°: +33 (0)4 78 90 48 22 – Fax N°: +33 (0)4 78 90 69 59 – www.bene-inox.com – bene@bene-inox.com

Technical information, illustrations and photographs are provided for information only, they are not contractual. Some may vary according to the tolerances accepted in the profession and the applicable standards. All instructions for use, disassembly and maintenance are recommendations only. These could also vary depending on product usage conditions, its installation environment and purchaser requirements – of which the purchaser alone is responsible for their definition.